

PLx1.6 VV

Article No: 600000000102

The PLx1.6 VV increases the focal length by a factor of 1.66x and allows the use of S35 lenses on large-format cameras up to 46.5 mm sensor diameter and supports a max. aperture of T-Stop 2.0.

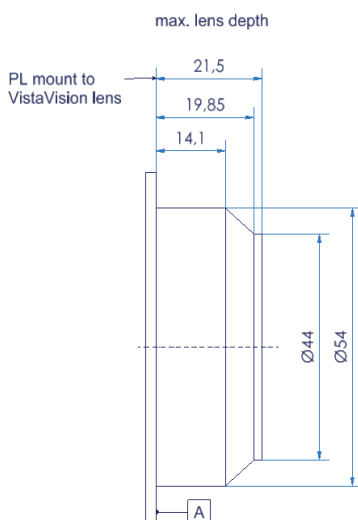
The PLx1.6 VV is characterized by a robust and durable mechanical design with stainless steel PL mounts and anodized aluminium as well as decorative surface outside and flair minimized surfaces inside.

The PLx1.6 VV is incompatible with mirror cameras but can be used with most S35 PL lenses.

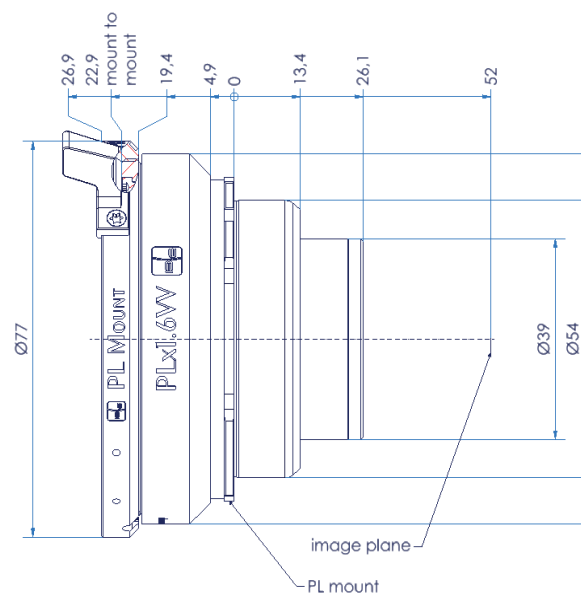


TECHNICAL DATA

Max. image diameter (mm)	46.5	Camera Mount	PL UMS Mount*
Focal length extension	1.66x	Diameter (mm)	77.0
Max. input T-Stop	2.0	Length (mm) PL to PL	22.9
Light drop (stops)	1.46	Weight (kg)	0.3
Lens Mount	PL Standard	*without F and MFT Mount. UMS E without cover ring	



max. measurements of input lens



dimensional drawing